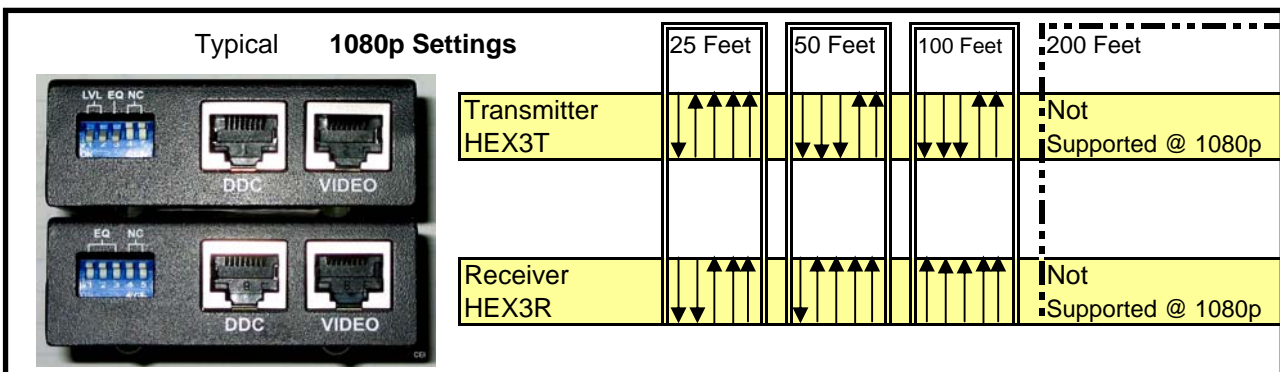
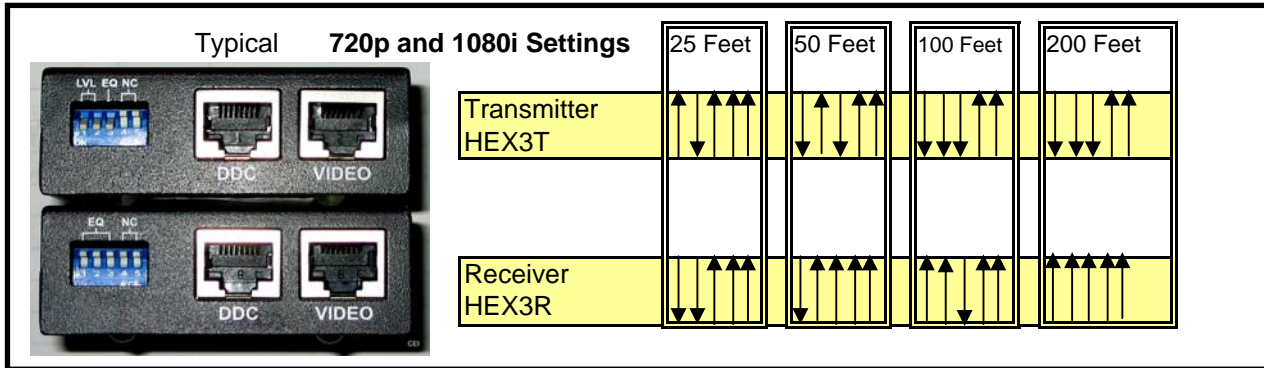


CE labs HM6EK

HDMI Signal Extenders

CAT6 Cable Distance



↑ Equals: Dip Switch in the UP or OFF position

↓ Equals: Dip Switch in the DOWN or ON position

Please note that these are typical settings as every system will have different amounts of loss in the cable.

If you are using CAT5 cable or the content contains Deep Color, the the EQ settings will need to be adjusted or distances decreased by approximately 20 %.

Do Not Use CATx Patch Panels in the cable runs as this causes additional loss. CATx cables should be run directly to the units and terminated with either 568A or 568B standard pinout on both ends.

Do Not leave large amounts of excess CATx cable (a few feet is OK) in the video or DDC run. The additional attenuation may cause the system to have issues on higher resolutions.

Use only solid CATX cable. Stranded cable has much higher attenuation.

Sparkles in the picture means the level is too high. Reduce the EQ. When the picture is blanking, the level is too low. Increase the level, and or the EQ, make certain TX SW3 is ON, or reduce the CATX cable length.